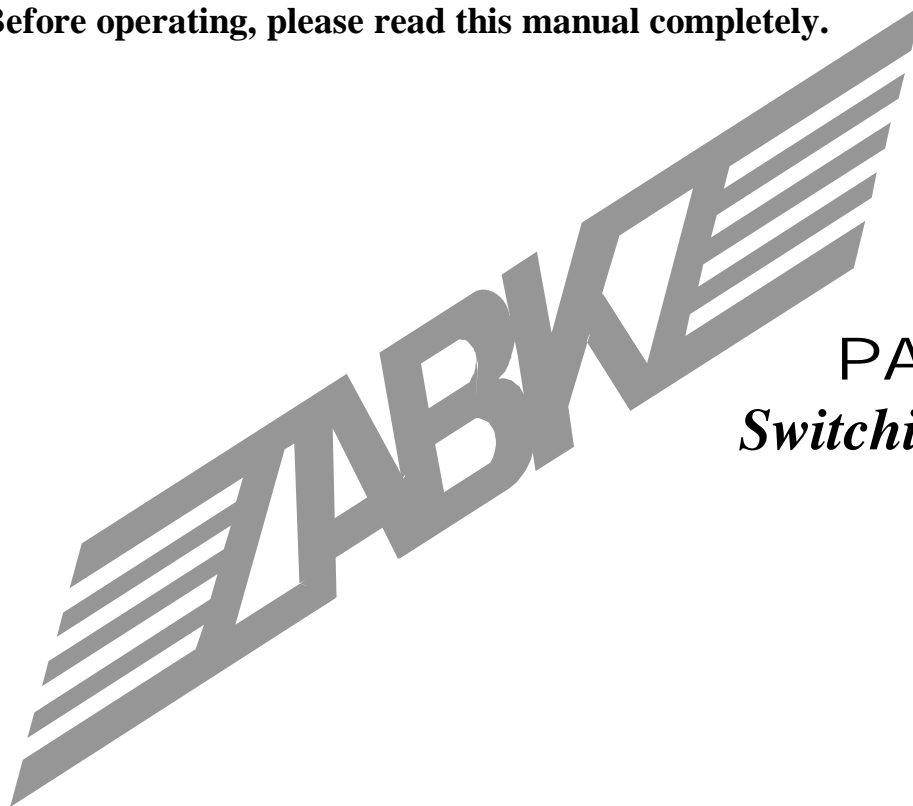
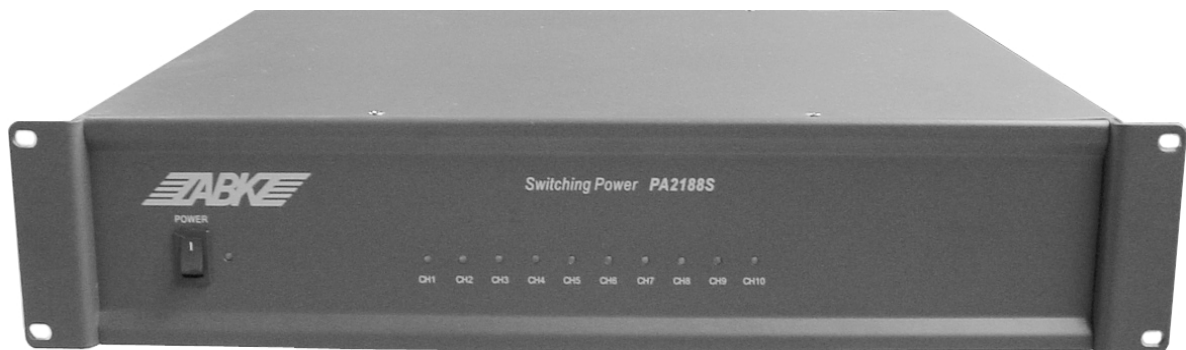


OWNER'S MANUAL

Before operating, please read this manual completely.



PA2188S
Switching Power



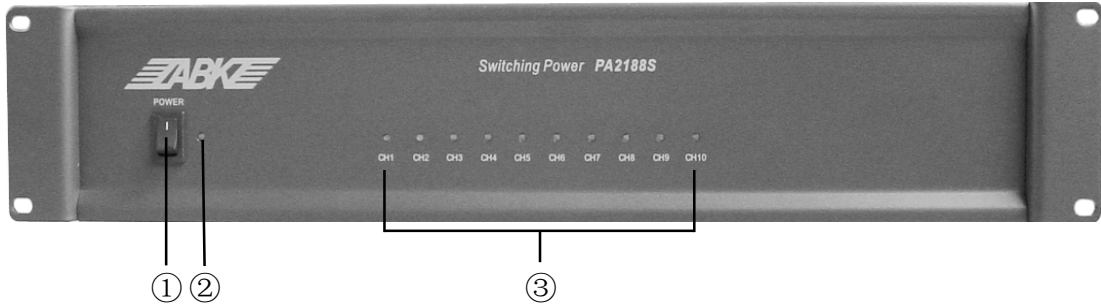
FEATURES

- | 10CH Alarm input
- | 10CH Alarm link output
- | 10CH DC 24V switching power outputs

Left blank for memo

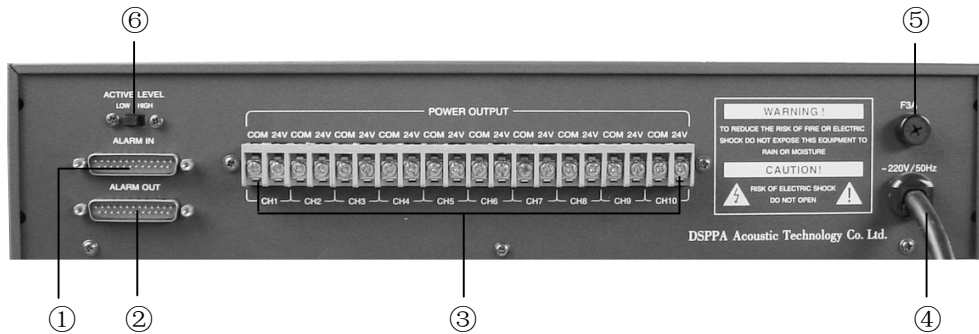


FRONT PANEL



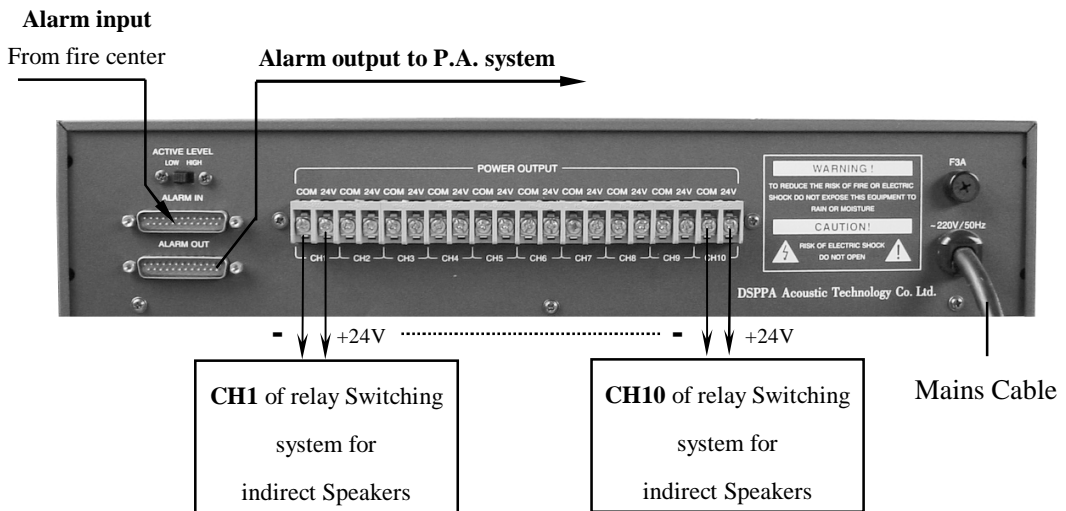
- ① Power Switch (1 is power on and the “power LED” is on)
- ② Power LED indicator
- ③ Output indicator

REAR PANEL



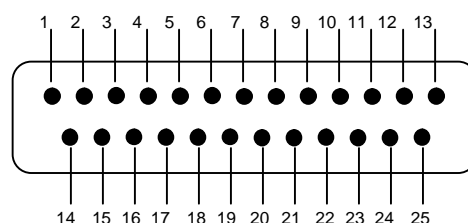
- ① Alarm Input
- ② Alarm Output
- ③ 24V Power Output
- ④ Mains Cable
- ⑤ Fuse
- ⑥ Active Level Selector

CONNECTIONS



OPERATION

- ALARM IN** To be connected to fire center, Pin **1~10** are Live Terminals of CH1~CH10 respectively, and Pin **11~25** are COM. **+12V** high-level signal or **0V** low-level signal is available. While **ACTIVE LEVEL** set at **HIGH**, high-level is valid; while set at **LOW**, low-level (grounded signal) is valid.
- ALARM OUTPUT** is connected to P.A. system for activating another device standing by.
- POWER OUTPUT** while alarm signals come in those terminals on real panel will give out **DC 24V** power source automatically for switching on indirect speakers of alarming zone..



SPECIFICATIONS

Channels	10, activated by alarm signal
Alarm Level	12 V / 0 V, preset available
Output	DC 24 V × 1 A per channel
Protection	AC fuse 1
Power Requirement	AC 220 –240 V / 50~60 Hz
Dimensions	485×88×378mm
Gross weight	11.5 kg
Net weight	10.2 kg

Specifications are subject to be changed without notice.

CAUTION

- Do not put the vase full of water and similar things on the machine.
- Please pull out the plug from the outlet when the machine is OFF state.
- To reduce the risk of electric shock, do not remove the unit's cover.

No user parts are inside. For services, refer to a qualified service person.